

Prefect Atlantic Energy Lock Accessio heaters - Instructions



Cleverly simple
control of energy.

Specification: SUPPLY VOLTAGE: 220-240 Volts AC 50 Hz
Heater sizes: 0.75kW / 1kW / 1.25kW / 1.5kW / 2kW / 2.5kW



Caution, hot surface. **WARNING:** Some parts of this product will become very hot and may cause burns on contact. Special care must be taken if children and vulnerable adults are present.

Caution: For safety reasons, and to avoid overheating, do not cover the heating appliance. This is VERY DANGEROUS and could cause electric shock or fire.



Appliances carrying this symbol must never be disposed of with household waste, but must be collected separately for recycling. At the end of their life, products must be collected and recycled according to local regulations and ordinances.

When an appliance is installed at a higher altitude, the air output temperature rises (around 10°C per 1000m rise in ground).

THIS SLAVE HEATER IS FITTED WITH THE PREFECT ENERGY LOCK AND IS NOT CAPABLE OF AUTONOMOUS OPERATION.

The unit **MUST** be connected to a suitable Prefect Lot 20 compliant control. see EU directive 2015/1188 (lot 20)

Prefect compatible controls: PRE5000 series Ecostat2 models

Prefect Irus PRE2000 central control system.

- Children under 3 years must be kept away from this appliance, unless they are constantly supervised.
- Children over 3 years should only switch on or off the heater, provided that the appliance has been placed or installed in a normal position and that these children have supervision or have received instructions regarding the safe use of the heater.
- Children and vulnerable people must always be supervised when using this heater. Anyone using this heater should be given instruction on safe use.
- This appliance may only be connected by an authorised person, according to valid regulations and rules.
- Do not use the appliance if the power cable is damaged.

INSTALLATION:

- The heater must be installed in accordance with professional standards, and comply with the regulations in force in the country of installation.
- The appliances are class II, and protected from water splashes, to IP 24. They may therefore be installed in volume 2 of shower rooms (see Fig 1). It must be impossible for anyone using the shower or bath to reach the appliance's controls.
- See Fig 2 for minimum distances to obstacles when positioning the heater.

DO NOT INSTALL THE APPLIANCE:

- Underneath a fixed mains socket.
- In volume 1 of bathrooms.
- Near curtains or any flammable materials.
- The air outlet must be visible at the top of the appliance.
- Below or within 300mm of a thermostat.

FIG:1

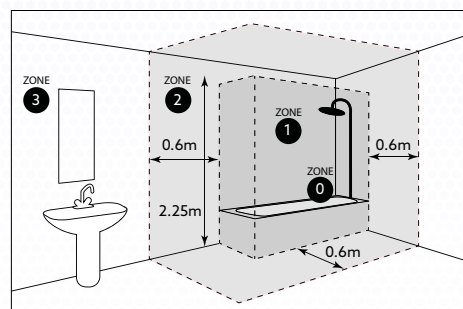
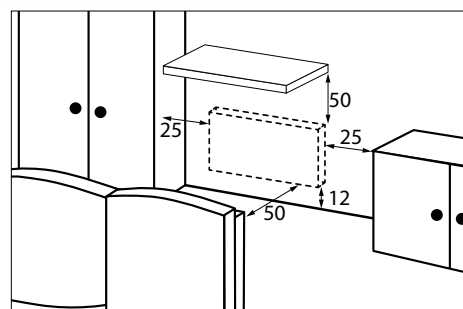


FIG:2



Prefect Atlantic Energy Lock Accessio heaters - Instructions



Cleverly simple
control of energy.

Specification: SUPPLY VOLTAGE: 220-240 Volts AC 50 Hz
Heater sizes: 0.75kW / 1kW / 1.25kW / 1.5kW / 2kW / 2.5kW

INSTALLATION - FIXING

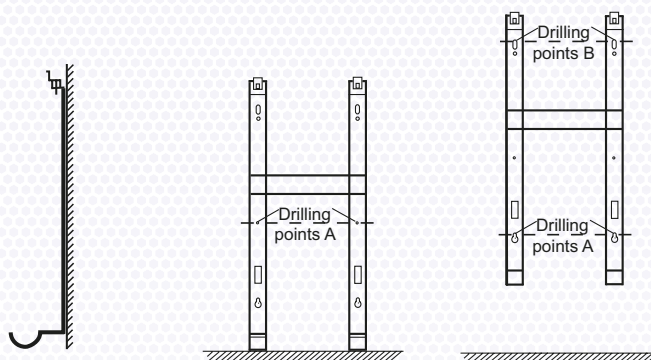
RELEASING THE HEATERS

BRACKET LATCHING BAR:

Fixing the heater bracket:

- Place the mounting bracket on the floor upright against the wall locate drilling holes A (see Fig 3). These show where the lower fastenings need to be located for the correct heater height.
- Lift the bracket aligning it with drilling point A to locate the B drilling points.
- Drill the A and B drill holes and insert suitable plugs if required.
- Locate the bracket and fix in place with suitable fixings.

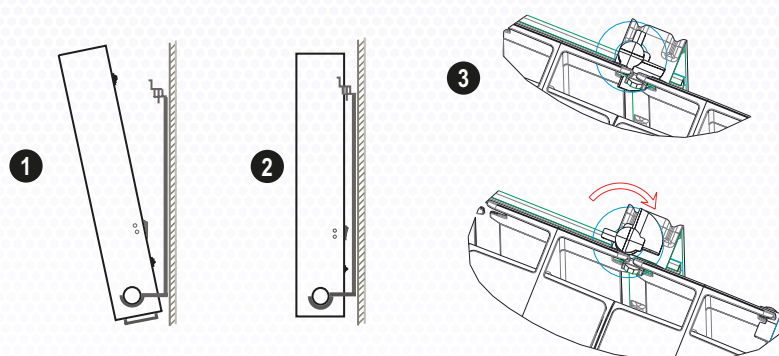
Fig 3



Locating the Heater onto the bracket:

1. Place the lower tube of the radiator on the rounded part of the mounting bracket.
2. Bring the radiator towards the mounting bracket and up, then insert the mounting bracket in the 2 wall brackets provided for this purpose.
3. Tighten the 2 locks with a screwdriver.

Fig 4



To release follow the above in reverse.

Prefect Atlantic Energy Lock Accessio heaters - Instructions



Cleverly simple
control of energy.

Specification: SUPPLY VOLTAGE: 220-240 Volts AC 50 Hz

Heater sizes: 0.5kW / 0.75kW / 1kW / 1.25kW / 1.5kW / 2kW / 2.5kW

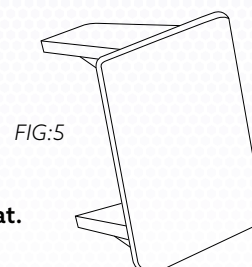
INSTALLATION - ELECTRICAL CONNECTION

THE POWER SUPPLY TO THE APPLIANCE IS 230V, 50HZ.

- The Accessio heater must be connected to the mains by a 2-wire cable (Brown= Live, Blue = Neutral) by means of a suitably rated double pole isolator and a LOT 20 compliant Prefect control. Do not connect the Black pilot wire
- In humid areas such as bathrooms and kitchens the power socket must be installed at least 25 cm above the floor.
- The installation should be fitted with a double pole break device with a break of at least 3mm
- The Heater must not be connected to the earth.
- The appliance must be installed by a professional (a qualified electrician) in accordance with the regulations in force in United Kingdom.
- The EnergyLock must be installed with a suitable thermostat for example the PRE2000 or ecostat2.
- When fitted in conjunction with an external thermostat as suggested above the thermostat should be mounted at least 300mm away from the heater, and protected from artificial heat sources for example: Desktop computers, TV's, Desk lamps etc. The Thermostat should be mounted between 1200mm & 1400mm. Mount in a 25mm or greater back box.
- Once the heater has been fitted connected and tested, the heater should be run for 5 minutes to test the unit. There may be a slight smell given off by invisible manufacturing residue heating up when the unit is first powered, this is normal.

ENERGY LOCK INSTALLATION

The heater will not function until the EnergyLock key (see Fig 6) has been installed into the heater. The EnergyLock key is supplied with the control thermostat.



- Holding the key with the tooth at the top, note the T shape of the tooth. On the bottom right hand side of the heater is a plastic cover, on this cover you will see a corresponding T slot. Locate the key into the T slot on the heater (see fig 6).
- When the key is located into the T slot, push the key home until it is flush (see fig 7). Once the key is fitted the heater will operate when the thermostat is calling for heat.

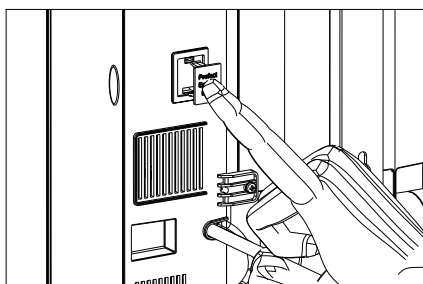


FIG:6

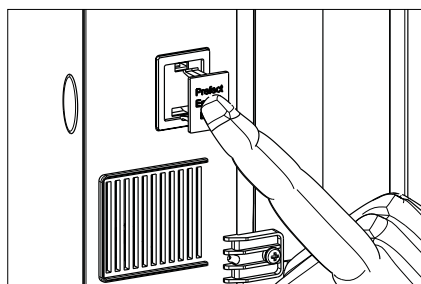
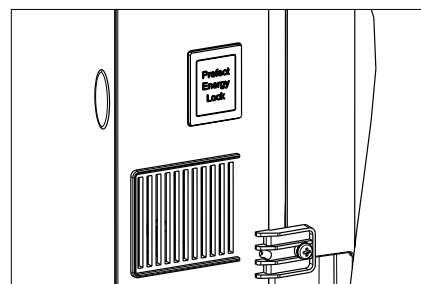


FIG:7



Prefect Atlantic Energy Lock Accessio heaters - Instructions



Cleverly simple
control of energy.

Specification: SUPPLY VOLTAGE: 220-240 Volts AC 50 Hz
Heater sizes: 0.75kW / 1kW / 1.25kW / 1.5kW / 2kW / 2.5kW

MAINTENANCE:

- Before any servicing, turn off the power to the appliance.
- To maintain the performance of appliance, dusting is required, approximately twice a year.
- Never use any abrasives or solvents.
- This appliance is filled with a specific quantity of special heat-transfer fluid. This fluid is unalterable and doesn't require special maintenance.
- Repairs requiring the opening of the fluid tank must only be carried out by a professional, the manufacturer or its customer service. In the event of a leak, the latter must be contacted. When the radiator is discarded, the fluid must be brought to an appropriate waste fluid collector.

TROUBLESHOOTING:

THE DEVICE DOES NOT HEAT:

- Make sure that the installation circuit breakers are switched on and there is suitable power present at the heater supply cable.
- Check the EnergyLock key supplied with the thermostat has been installed into the heater.

THE UNIT IS PERMANENTLY HEATING:

- Make sure that it is not in a draft and that the temperature setting has not been changed.
- When using the heater in conjunction with an external thermostat ensure the ambient room temperature is not lower than the set temperature of the thermostat.
- If necessary isolate the electrical supply to the heater and contact a professional.

The heaters surface is very hot: It is normal for the heaters surface to become very hot during normal operation, the maximum surface temperature is limited in accordance with standards.

WARRANTY CONDITIONS:

KEEP THIS DOCUMENT IN A SAFE PLACE

(This certificate should only be produced if you are making a complaint, attached with the invoice of the purchase)

- This guarantee is applicable for 5 years from the date of original purchase and shall be valid for no more than 54 months from the date of manufacture.
- The warranty covers the replacement and supply of defective parts except damage to components caused by inappropriate use.
- Labour costs, travel and transportation are under the responsibility of the user.
- Damage linked to an improper installation, to a supply network not complying with standards, to an abnormal using or to the non-compliance to the instructions of the manual are not covered by the warranty.
- Present this certificate only in case of claim with your distributor or installer attaching your invoice.
- Statutory rights are not affected by the terms of this warranty.

A - Serial Number		B - Commercial reference	
CE	UK CA		Code :
IP 24			1500 W 230-240V~
N° de constructeur		N° 0614 123	
Type of device*			
Serial number*			
Name and address of customer*			

* This information is shown on the plate which can be seen on the left-side or behind the front grille of the unit