

Prefect Atlantic Energy Lock panel heaters - Instructions - page 1 of 4



Cleverly simple control of energy.

Specification: SUPPLY VOLTAGE: 220-240 Volts AC 50 Hz

Heater sizes: 0.5kW / 0.75kW / 1kW / 1.25kW / 1.5kW / 2kW / 2.5kW



Caution, hot surface. **WARNING:** Some parts of this product may become very hot and cause burns on contact. Special care must be taken if children and vulnerable adults are present. **Caution: For safety reasons, and to avoid overheating, do not cover the heating appliance.**



Appliances carrying this symbol must never be disposed of with household waste, but must be collected separately for recycling. At the end of their life, products must be collected and recycled according to local regulations and ordinances.

When an appliance is installed at a higher altitude, the air output temperature rises (around 10°C per 1000m rise in ground).

THIS SLAVE HEATER IS FITTED WITH THE PREFECT ENERGY LOCK AND IS NOT CAPABLE OF AUTONOMOUS OPERATION.

The unit **MUST** be connected to a suitable Prefect Lot 20 compliant control. see EU directive 2015/1188 (lot 20)

Prefect compatible controls: PRE5003ec2, PRE5004ec2, PRE5203ec2, PRE5204ec2, PRE5502ec2,

Prefect Irus PRE2000CU3 central control.

- Children under 3 years must be kept away from this appliance, unless they are constantly supervised.
- Children between 3 and 8 years should only switch on or off the heater, provided that the appliance has been placed or installed in a normal position and that these children have supervision or have received instructions regarding the use of the machine safely.
- This heater can be used by children over 8 years, or by people of reduced physical, sensory or mental capacity, if supervised correctly or instructions for using the appliance safely given to them and if the risks were apprehended.
- This appliance may only be connected by an authorised person, according to valid regulations and rules.
- Do not use the appliance if the power cable is damaged.

INSTALLATION:

- The heater must be installed in accordance with professional standards, and comply with the regulations in force in the country of installation.
- The appliances are class II, and protected from water splashes, to IP 24. They may therefore be installed in volume 2 of shower rooms (see Fig 1). It must be impossible for anyone using the shower or bath to reach the appliance's controls.
- See Fig 2 for minimum distances to obstacles when positioning the heater.

DO NOT INSTALL THE APPLIANCE:

- Underneath a fixed mains socket.
- In volume 1 of bathrooms.
- Near curtains or any flammable materials.
- The air outlet must be visible at the top of the appliance.
- Below or within 300mm of a thermostat.

FIG:1

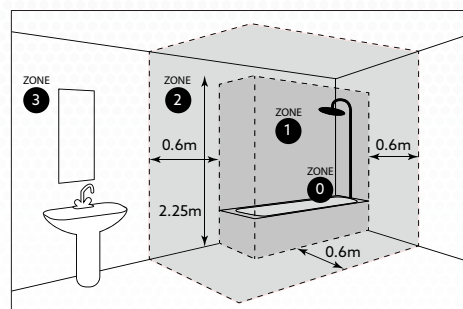
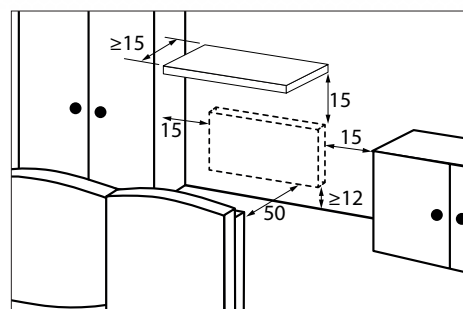


FIG:2



Due to our policy of continuous improvement, we reserve the right to change specifications without notice. All information was correct at time of when this product file was produced - April 2020

Prefect Atlantic Energy Lock panel heaters - Instructions - page 2 of 4



Cleverly simple control of energy.

Specification: SUPPLY VOLTAGE: 220-240 Volts AC 50 Hz

Heater sizes: 0.5kW / 0.75kW / 1kW / 1.25kW / 1.5kW / 2kW / 2.5kW

INSTALLATION - FIXING

RELEASING THE HEATERS BRACKET LATCHING BAR:

- Place the heater flat on level ground facing down, take care not to damage the heater.
- Use a flat blade screwdriver to raise the tongue at the top of the bracket. Take care not to raise the tongue to far, as this will result in damage to the bracket. While holding the tongue raised in the up position, slide the bracket downwards towards the base of the heater to release the top latches.
- Pivot the bracket up and remove from the heater.

FIXING THE HEATER BRACKET:

- Place the latching bar on the floor upright against the wall, locate drilling holes A (see Fig 4), These show where the lower fastenings need to be located for the correct heater height.
- Lift the bracket aligning it with drilling point A to locate the B drilling points.
- Drill the A and B drill holes and insert suitable plugs if required.
- Locate the bracket and fix in place with suitable fixings.

LOCATING THE HEATER ONTO THE BRACKET:

- Locate the heater onto the lower latches of the bracket, the heater must be located at a 30° angle to locate into the lower latch, once the lower latches are located pivot the heater parallel to the fixing surface and locate the top latches, once the top latches are located slide the heater downwards until a click is heard indicating the heater is properly latched into place.

RELEASING THE HEATER FROM THE FIXED POSITION:

- To release the heater from the bracket, use a flat bladed screwdriver to lift the latch tongue (see fig 5) away from the heater towards the fixing surface. Take care not to bend the tongue too far. With the tongue in the lifted position, lift the heater upwards, then pivot away from the fixing surface by 30°, finally, lift the heater away from the bracket.

FIG:3

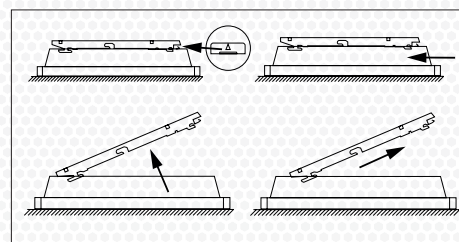


FIG:4

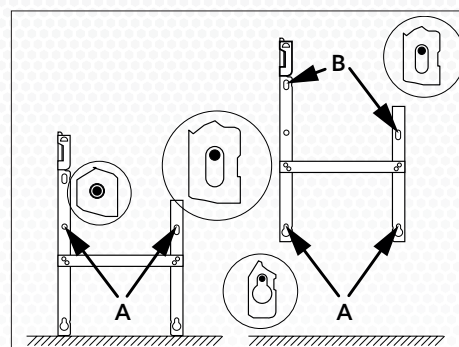
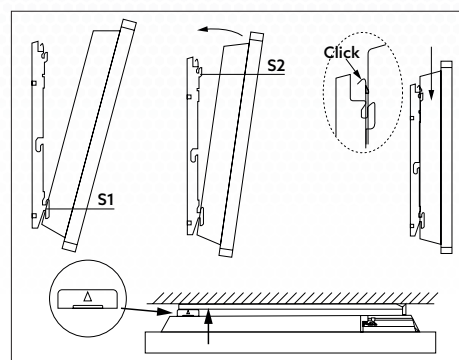


FIG:5



Prefect Atlantic Energy Lock panel heaters - Instructions - page 3 of 4



Cleverly simple control of energy.

Specification: SUPPLY VOLTAGE: 220-240 Volts AC 50 Hz

Heater sizes: 0.5kW / 0.75kW / 1kW / 1.25kW / 1.5kW / 2kW / 2.5kW

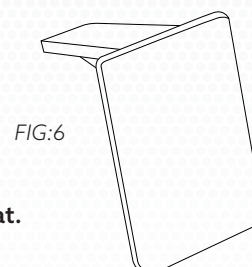
INSTALLATION - ELECTRICAL CONNECTION

THE POWER SUPPLY TO THE APPLIANCE IS 220/230V, 50HZ/60HZ.

- The panel heater must be connected to the mains by a 2-wire cable (Brown= Live, Blue = Neutral) by means of a suitably rated double pole isolator and a LOT 20 compliant Prefect control.
- In humid areas such as bathrooms and kitchens the power socket must be installed at least 25 cm above the floor. The installation should be fitted with a double pole break device with a break of at least 3 mm.
- The Heater must not be connected to the earth.
- The appliance must be installed by a professional (a qualified electrician) in accordance with the regulations in force in United Kingdom.
- The "no control appliance" Must be installed with a suitable thermostat for example the PRE2000 or ecostat2.
- When fitted in conjunction with an external thermostat as suggested above the thermostat should be mounted at least 300mm away from the heater, and protected from artificial heat sources for example: Desktop computers, TV's, Desk lamps etc. The Thermostat should be mounted between 1200mm & 1400mm. Mount in a 25mm or greater back box.
- Once the heater has been fitted connected and tested, the heater must be run for 5 minutes to prove the unit and complete the element burn off. Oil is present on the element from manufacture, when the heater is first powered the oil will burn off and produce an amount of smoke in the process, this is normal. Ensure the area is unoccupied and that any fire detection systems are temporarily disabled then re-enabled immediately after the burn off.

ENERGY LOCK INSTALLATION

The heater will not function until the energy lock key (see Fig 6) has been installed into the heater. The energy lock key is supplied with the control thermostat.



- Holding the key with the tooth at the top, note the T shape of the tooth. On the top right hand side of the heater is a plastic cover, on this cover you will see a corresponding T slot. Locate the key into the T slot on the heater (see fig 7).
- Once the key is located into the T slot, push the key home until it is flush (see fig 8). Once the key is fitted the heater will be able to operate when the thermostat is calling for heat.

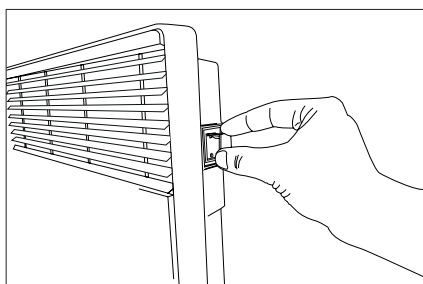


FIG:7

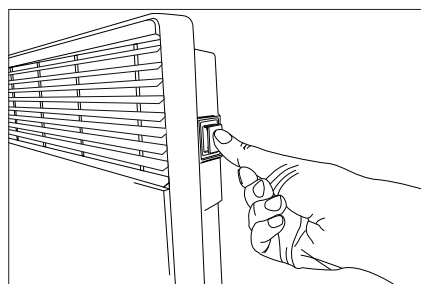


FIG:8

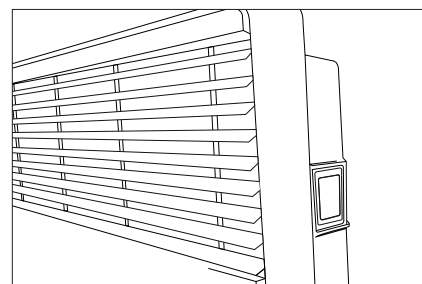


FIG:9

Due to our policy of continuous improvement, we reserve the right to change specifications without notice. All information was correct at time of when this product file was produced - April 2020

Prefect Atlantic Energy Lock panel heaters - Instructions - page 4 of 4



Cleverly simple control of energy.

Specification: SUPPLY VOLTAGE: 220-240 Volts AC 50 Hz
Heater sizes: 0.5kW / 0.75kW / 1kW / 1.25kW / 1.5kW / 2kW / 2.5kW

MAINTENANCE:

- Before undertaking any Maintenance ensure the heater is isolated from the electrical supply.
- To maintain performances of the heater, you should clean the upper and lower grills of the unit twice a year using a vacuum cleaner or a soft bristle brush.
- Have a professional check the inside of the unit every five years. Dirt may collect on the grids of the unit if the atmosphere is polluted. This phenomenon is due to the poor quality of the ambient air. In this case, it is recommended to check that the room is well ventilated (ventilation, air inlet, etc.), and that the air is clean. The unit will not be replaced under the guarantee because of this type of dirt. The unit casing should be cleaned with a damp cloth, never use abrasive products.

TROUBLESHOOTING:

THE DEVICE DOES NOT HEAT:

- Make sure that the installation circuit breakers are switched on and there is suitable power present at the heater supply cable.
- Check the Energy Lock key supplied with the thermostat has been installed into the heater.

THE UNIT IS PERMANENTLY HEATING:

- Make sure that it is not in a draft and that the temperature setting has not been changed.
- When using the heater in conjunction with an external thermostat ensure the ambient room temperature is not lower than the set temperature of the thermostat.
- If necessary isolate the electrical supply to the heater and contact a professional

The heaters surface is very hot: It is normal for the heaters surface to become very hot during normal operation, the maximum surface temperature is limited in accordance with standards.

WARRANTY CONDITIONS:

KEEP THIS DOCUMENT IN A SAFE PLACE

(This certificate should only be produced if you are making a complaint, attached with the invoice of the purchase)

- This guarantee is applicable for 5 years from the date of original purchase and shall be valid for no more than 30 months from the date of manufacture.
- The warranty covers the replacement and supply of accepted defective parts except damages and interest components.
- Labour costs, travel and transportation are under the responsibility of the user.
- Damage linked to an improper installation, to a supply network not complying with standards, to an abnormal using or to the non-compliance to the instructions of the manual are not covered by the warranty.
- Present this certificate only in case of claim with your distributor or installer attaching your invoice.
- The provisions of these warranty conditions are not exclusives of benefits for the purchaser of the legal guarantee for defects and hidden defects that apply in any case in terms of articles 1641 and following of the Civil Code.

A - Serial Number		B - Commercial reference	
IP 24			
N° de constructeur		Code :	1500 W 230-240V~
		N° 0614 123	
		A	

** This information is shown on the plate which can be seen on the left-side or behind the front grille of the unit*

Due to our policy of continuous improvement, we reserve the right to change specifications without notice. All information was correct at time of when this product file was produced - April 2020