

# PRE9501

Instructions - page 1 of 5

Valve Actuator



Cleverly simple  
control of energy.



## SPECIFICATION

Electrical specification - 220-240VAC 50 Hz

LOAD - 2.5W

Connections - Live in, Neutral

Running time for 3mm stroke - Approx. 6 min.

Positioning - 90°-0°-90° off vertical

Ambient temperature range - -5° to 60°C

Protection - IP54

Supplied lead length - 900mm

Operating time - Closed to open: 3-6 minutes, open to closed 3-5 minutes. Times will vary depending on mains voltage, ambient temperature and connected valve spring force.

Indicators - Top cap rising indicator, The top cap of the PRE9501 will rise with the internal push rod indicating the current position of the radiator valve. Fully raised indicates the valve is fully open, fully lowered flush with the units chassis indicates the valve is closed.

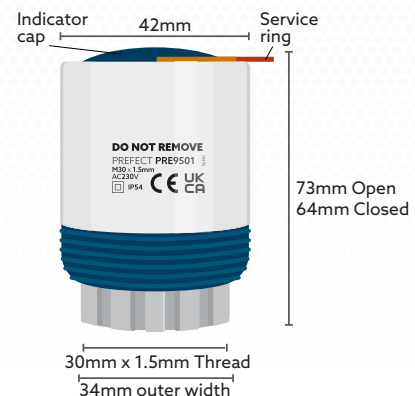
## OPERATION

The PRE9501 wet radiator Valve Actuator can be used with other Prefect control equipment to manage the flow of hot water through a wet radiator or valve, thus controlling the temperature in the room.

The PRE9501 has a common size mounting of 30mm X 1.5mm thread which can be used on a variety of different valve bodies. (Valve body not supplied.)

The PRE9501 is designed for silent operation so can be effectively used in offices, student bedrooms, schools & hotels.

The unit has an electrically heated, overrun-proof expansion element which transfers its stroke directly to the valve. The unit is silent in operation and requires no maintenance.



When the heating element inside the unit is switched on, following a warming-up period of 3-6 minutes, the unit will complete a stroke of 3mm. The closing cycle will take from 3-5 minutes depending on conditions. The expansion element cools during this period and the valve is closed by spring pressure from inside the PRE9501.

Once fitted and powered, remove the service key.

Due to our policy of continuous improvement, we reserve the right to change specifications without notice. All information was correct at time of when this product file was produced - July 2022

# PRE9501

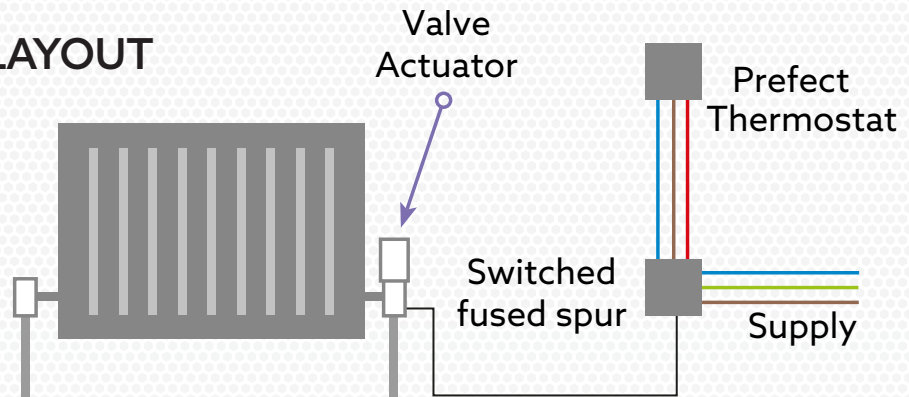
Instructions - page 2 of 5

Valve Actuator

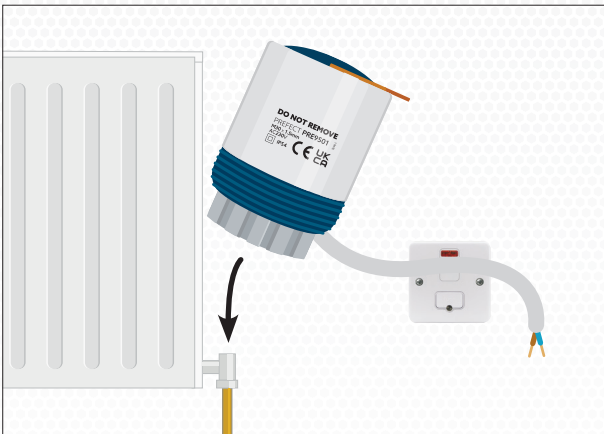


Cleverly simple  
control of energy.

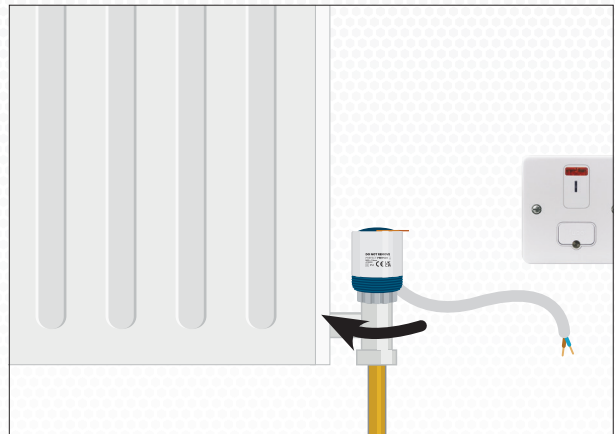
## TYPICAL WIRING LAYOUT



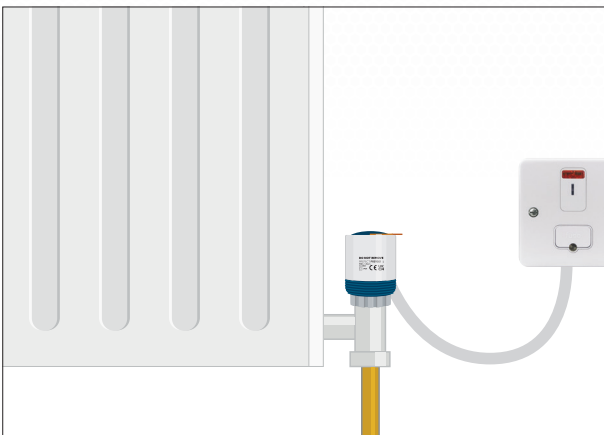
## FITTING



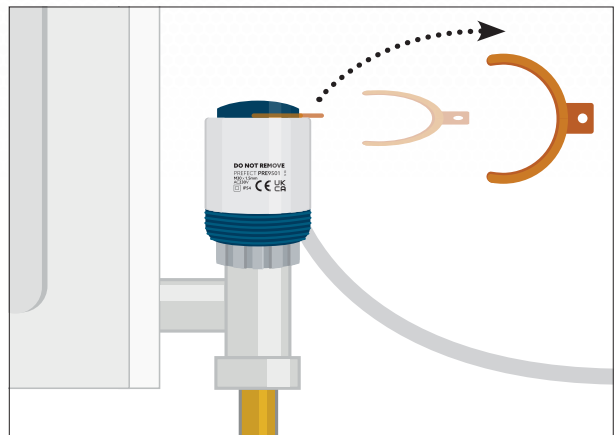
1. Fix the Valve Actuator onto valve body



2. Screw M30 fitting ring onto the thread. Do not over tighten the fitting ring, finger tight will be sufficient, the use of tools is not recommended for fitting.



3. Power the unit as per the wiring diagram overleaf.



4. Release the Service Key when the Valve Actuator head has risen.

Due to our policy of continuous improvement, we reserve the right to change specifications without notice. All information was correct at time of when this product file was produced - July 2022

# PRE9501

Instructions - **page 3** of 5

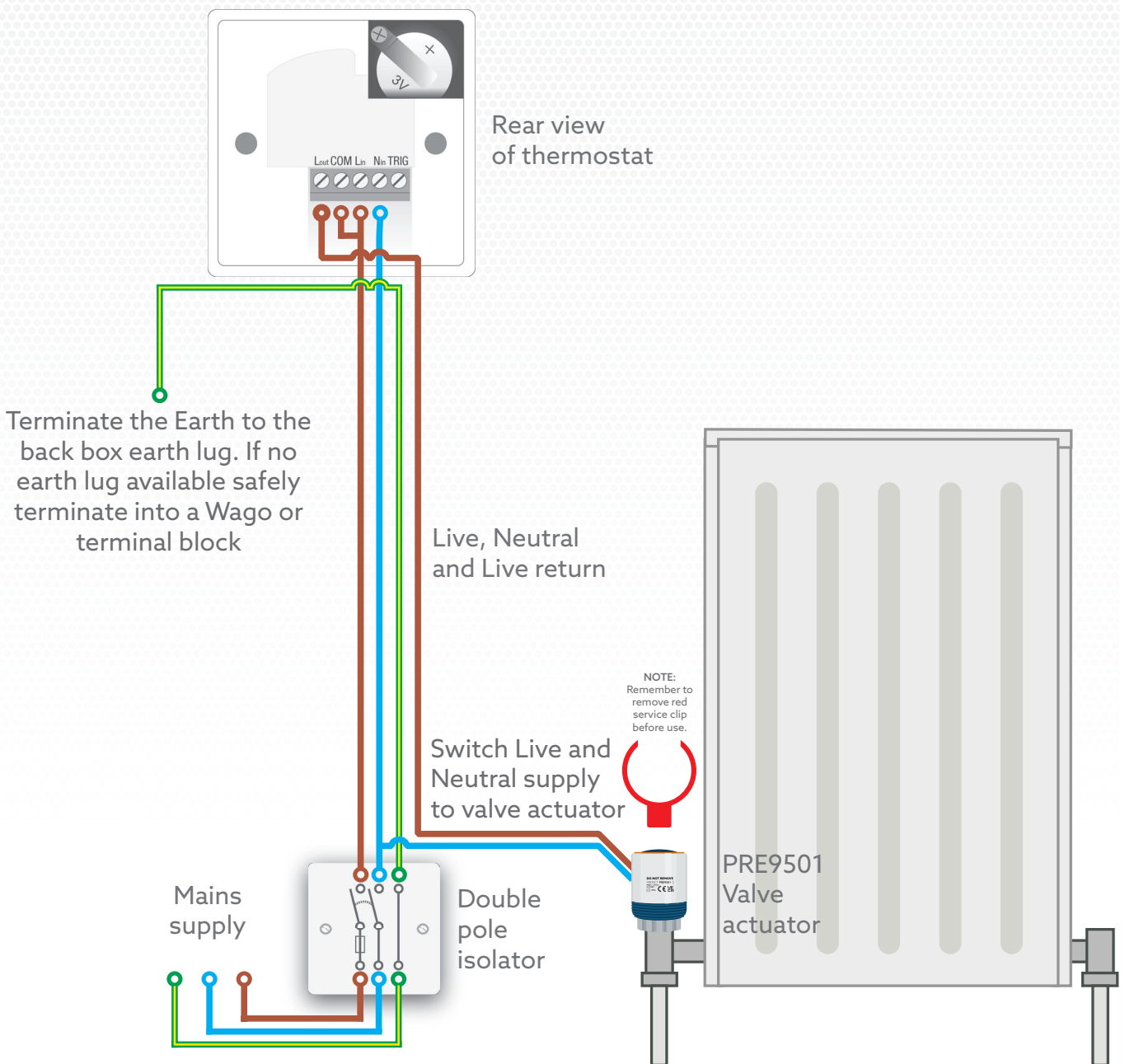
Valve Actuator



Cleverly simple  
control of energy.

## WIRING FOR ecoStat

**WARNING:** Any electrical work must be undertaken by a competent person or persons in line with the regulations in force at the time of fitting.



Due to our policy of continuous improvement, we reserve the right to change specifications without notice. All information was correct at time of when this product file was produced - July 2022

# PRE9501

Instructions - page 4 of 5

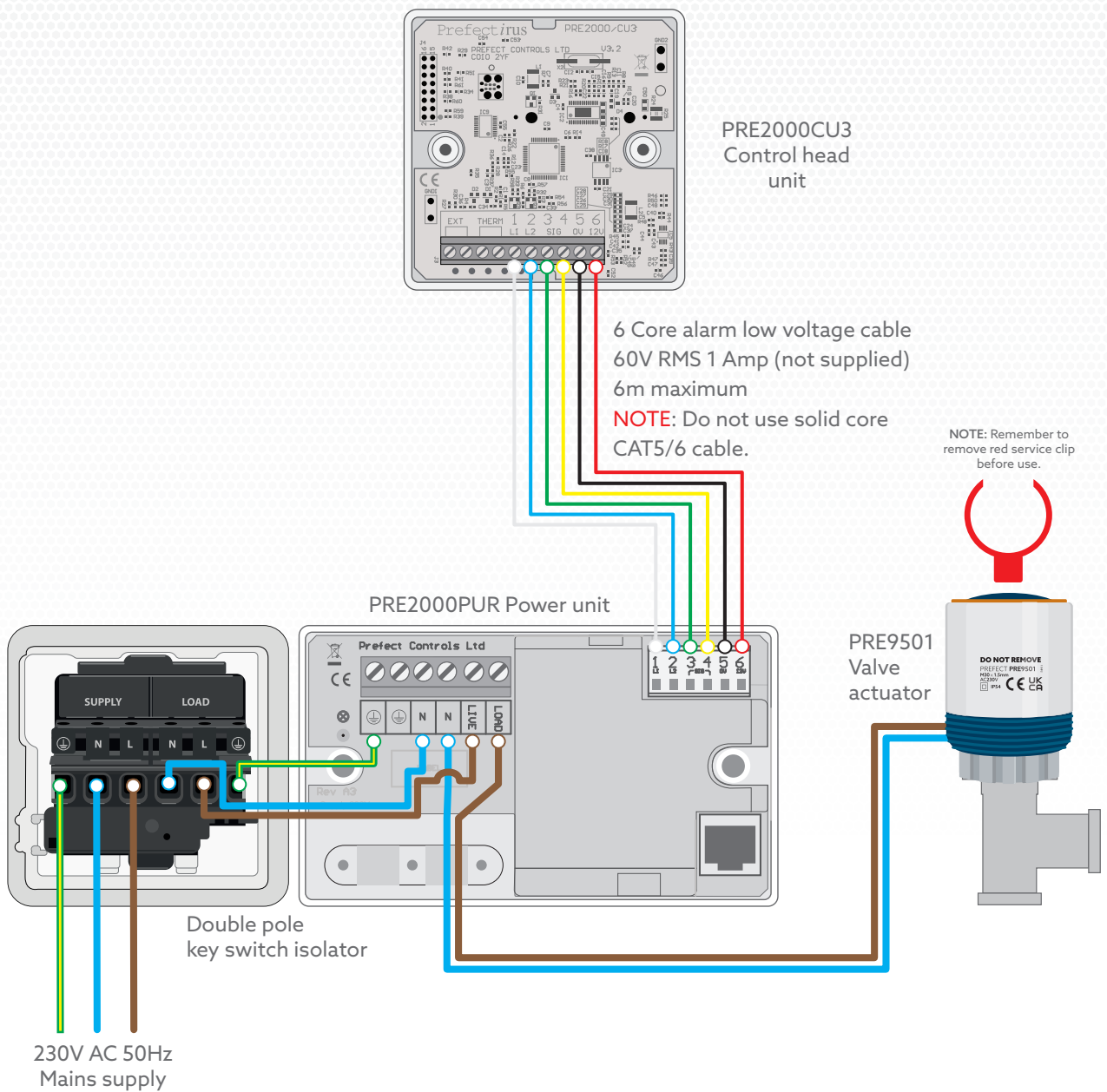
Valve Actuator



Cleverly simple  
control of energy.

## WIRING FOR *irus*

**WARNING:** Any electrical work must be undertaken by a competent person or persons in line with the regulations in force at the time of fitting.



WD-154 IRUS\_Standard wet radiator\_PRE2000CU3\_PRE2000PUR\_PRE9501\_Nov2022

Due to our policy of continuous improvement, we reserve the right to change specifications without notice. All information was correct at time of when this product file was produced - July 2022

Prefect Controls Limited, Unit 2, Church Field Business Park, Church Field Road, Sudbury CO10 2YF  
01787 320604 | mail@prefectcontrols.com | prefectcontrols.com

10579

# PRE9501

Instructions - **page 5** of 5

## Valve Actuator



Cleverly simple  
control of energy.

## REMOVAL

### From an Irus control unit

To remove the PRE9501 from the valve body, place the Control Unit into L2 Output Test Mode, this is done by pressing and holding the UP button and then pressing the DOWN button three times in quick succession this will enter Test Mode, now press the DOWN button one more time, this enters L2 Test Mode. The valve will now open. When the head on the Valve Actuator has risen, re-insert the Service Key and allow time for the actuator head to close, this will usually take around 3 minutes. When fully closed unscrew the Valve Actuator from the valve body.

### From an ecoStat control unit

To remove the PRE9501 from the valve body, click the UP button on the Control Unit until all the LEDs are lit. This will cause the valve to open. When the head has risen, re-insert the Service Key and allow time for the actuator head to close, this will usually take around 3 minutes. When fully closed unscrew the Valve Actuator from the valve body.