

PRE4202B-FM-PRM

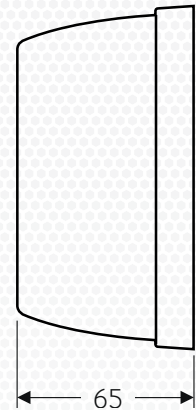
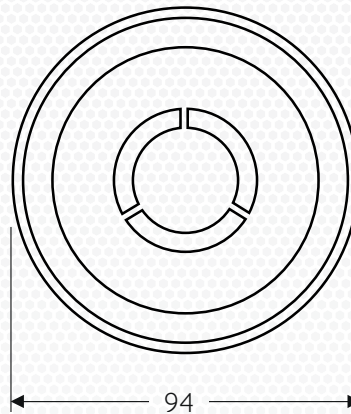
Instructions - page 1 of 4

Compact surface-mounted ceiling microwave presence detector



Cleverly simple
control of energy.

DIMENSIONS



Warning

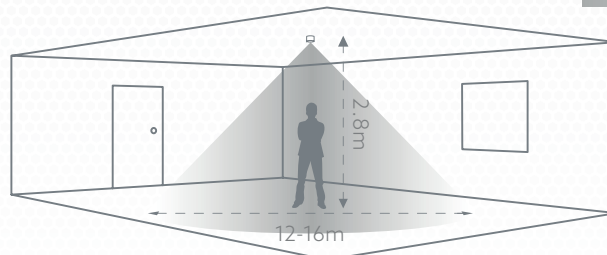
This device should be installed by a qualified electrician in accordance with the latest edition of the IEE wiring regulations. Identify the appropriate power supply and perform procedures to ensure the circuits are completely isolated. The supply should be locked in the OFF position and safe working practices should always be observed.

MICROWAVE SAFETY

The microwave radiation emitted by these units is extremely low power and complies with ANSI standard "IEEE C95.1-1999 Standard for Safety Levels with Respect to Human Exposure to Radio Frequency Electromagnetic Fields 3kHz 300GHz."

DETECTION PATTERN

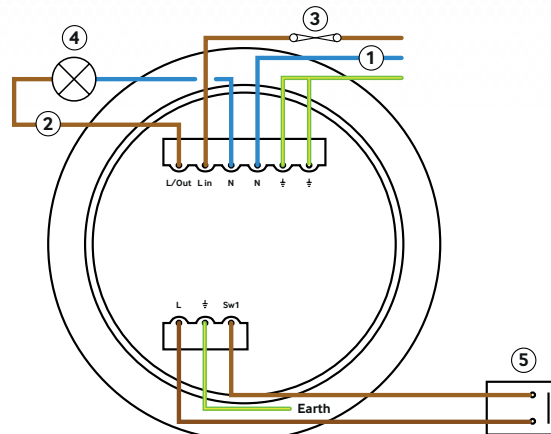
high < sensitivity > low



WIRING

Key

1. Neutral
2. Live out
3. 10A circuit protection if required
4. Load
5. Momentary push-to-make switch, 230V (for absence detection)



Due to our policy of continuous improvement, we reserve the right to change specifications without notice. All information was correct at time of when this product file was produced - February 2022

PRE4202B-FM-PRM

Instructions - page 2 of 4

Compact surface-mounted ceiling microwave presence detector



Cleverly simple
control of energy.

PRESENCE OR ABSENCE DETECTION

The unit ships with presence detection as default.

- To change over to absence detection, press and release the external switch 5 times within the first minute of power up. The LED will turn on red for 30 seconds to indicate absence mode has been selected.
- To change back to presence detection, repeat the above procedure - the LED will flash red for 30 seconds to indicate presence mode has been selected.

To use absence detection a retractive (momentary) switch must be connected between the 2 terminals on the diagram. Note that this will be switching mains voltage.

Note: the above adjustments can also be made using the optional PRE5901 or PRE5903 handsets.

INSTALLATION

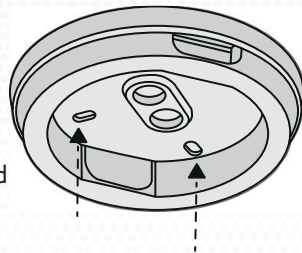
This device is designed to be flush ceiling-mounted.

- Do not site the unit where direct sunlight might enter the sensor.
- Do not site the sensor within 1m of any lighting, forced air heating or ventilation.
- Do not fix the sensor to an unstable or vibrating surface.

1 INSTALL MOUNTING PLATE

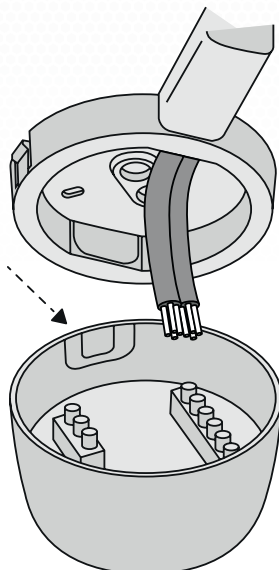
Screw the Mounting plate and optional Gasket to the ceiling via the four mounting holes.

Note: Two holes are suitable for BESA boxes, two are suitable for UK or EU 60mm fixing backboxes.



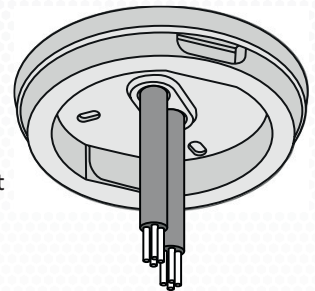
2.1 WIRE LOCATION - SIDE ENTRY

Pass cable through either of the two side entry points in the mounting plate. Knock-outs are on the sensor head to allow for clearing side entry of conduit and / or cables.



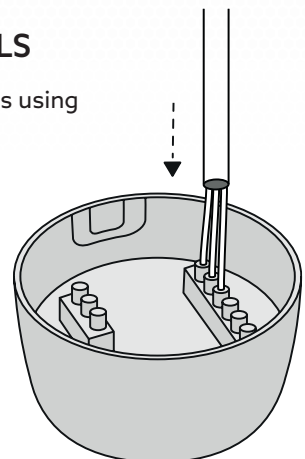
2.0 WIRE LOCATION - REAR ENTRY

Pass cable through gasket (optional) and mounting plate.



3 WIRE IN TERMINALS

Wire cables into terminals using required wiring diagram.



Due to our policy of continuous improvement, we reserve the right to change specifications without notice. All information was correct at time of when this product file was produced - February 2022

PRE4202B-FM-PRM

Instructions - page 3 of 4



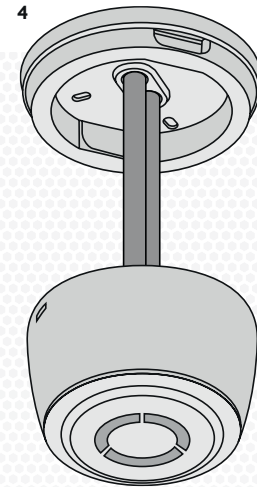
Cleverly simple
control of energy.

Compact surface-mounted ceiling microwave presence detector

4

ATTACH SENSOR TO PLATE

Push the sensor head onto the mounting plate and align clips with slots on sensor head. Use a flat bladed screwdriver to unclip the mounting plate from the sensor head.



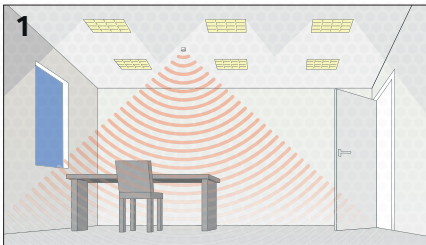
DEFAULT SETTINGS

Time out: 20 minutes.
LUX on level: 9
LUX off level: 9
Sensitivity: 9
Detection: Presence

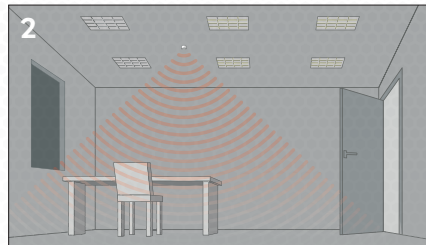
Adjustments can be made using the optional PRE5901 or PRE5903 handsets.

TESTING

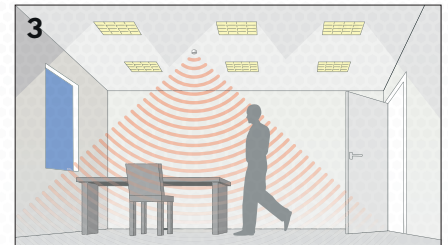
PRESENCE DETECTION



1. Power up the sensor. The load should come on immediately.

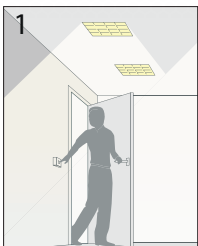


2. Vacate the room or remain very still and wait for the load to switch off (this should take fewer than 20 minutes).



3. Enter the room or make some movement and check that the load switches on.

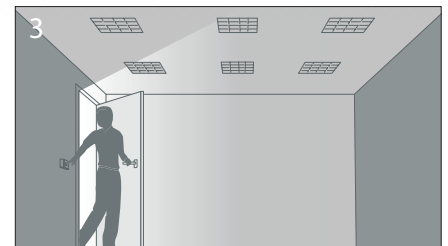
ABSENCE DETECTION



1. Power up the sensor
Switch the load on.



2. Vacate the room and wait for the load to switch off (this should take fewer than 20 minutes).



3. Enter the room, the load will remain off until you switch it on again.

Due to our policy of continuous improvement, we reserve the right to change specifications without notice. All information was correct at time of when this product file was produced - February 2022

PRE4202B-FM-PRM

Instructions - page 4 of 4

Compact surface-mounted ceiling microwave presence detector



Cleverly simple
control of energy.

TECHNICAL DATA

Weight	0.150 KG
Supply Voltage AC	230 VAC +/- 10%
Supply Frequency	50Hz
Power consumption Parasitic	895mW
Terminal Capacity	2.5mm ²
Maximum Load	
Incandescent lighting	10A
Fluorescent lighting	10A
Compact Fluorescent lighting	10A
LED lighting	10A
Resistive heaters	10A
Fans and ventilation equipment	10A
Time out range	10s - 99m
Purpose	Sensing control
Construction	Independent flush mounted, electronic control
Type of action	Type 1.B action (micro disconnection)
Pollution	Degree 2
Software	Class A
Working temperature range	-10 to +35°C
Humidity	5 to 95% non-condensing
Material (casing)	Flame retardant ABS and PC/ABS
Insulation class	2
Microwave frequency	5.8GHz
IP rating	54
Compliance	RED-2014/53/EU. LVD-2014/35/EU

ACCESSORIES

Part number	Description
PRE5901	Infra-red programming handset
PRE5903	Compact infra-red programming handset



Due to our policy of continuous improvement, we reserve the right to change specifications without notice.
All information was correct at time of when this product file was produced - February 2022