

# PRE3204B

Instructions - **page 1** of 4

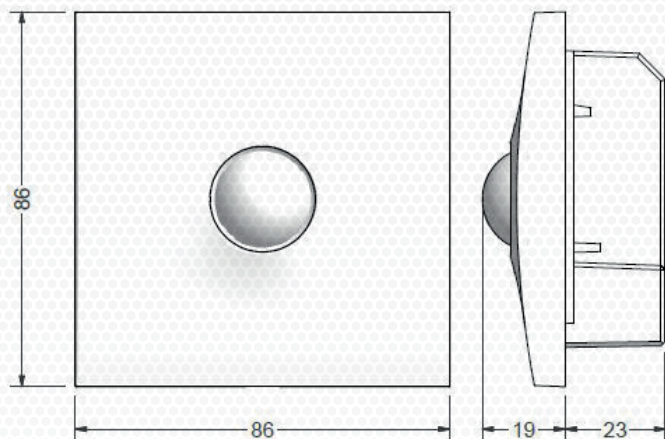
**Wall-mounted no neutral presence detector with manual adjustment**



Cleverly simple  
control of energy.



## DIMENSIONS



### Warning

This device should be installed by a qualified electrician in accordance with the latest edition of the IEE wiring regulations. Identify the appropriate power supply and perform procedures to ensure the circuits are completely isolated. The supply should be locked in the OFF position and safe working practices should always be observed.

The PDS-PRM presence detector switches are designed to provide automatic control of lighting, heating or ventilation loads. They detect movement using a PIR sensor and turn the load on.

When an area is no longer occupied the load will switch off after an adjustable time out period. An internal light sensor provides additional energy saving in lighting applications. When an area is occupied lighting is only switched on when the level of natural light is below a preset level.

A selectable security mode switches the lights on for a period of 2 hours when it gets dark, regardless of occupancy, to give the impression of a building being occupied.

The PDS-PRM/S comes with longer mounting screws and countersunk holes on the cover plate. This is to allow the installer to secure the unit and cover plate with external screw fixings.

Due to our policy of continuous improvement, we reserve the right to change specifications without notice. All information was correct at time of when this product file was produced - February 2022

# PRE3204B

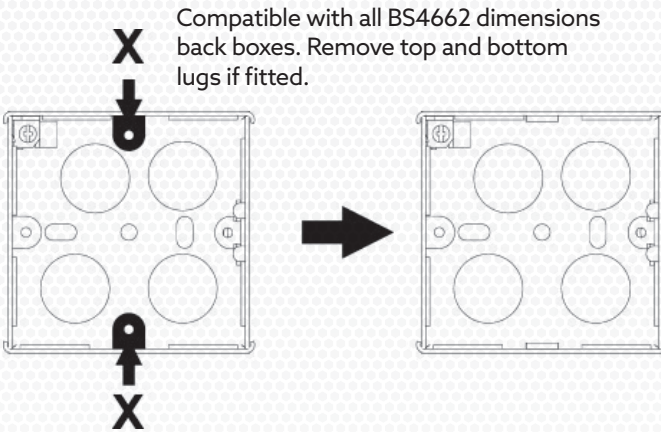
Instructions - page 2 of 4



Cleverly simple  
control of energy.

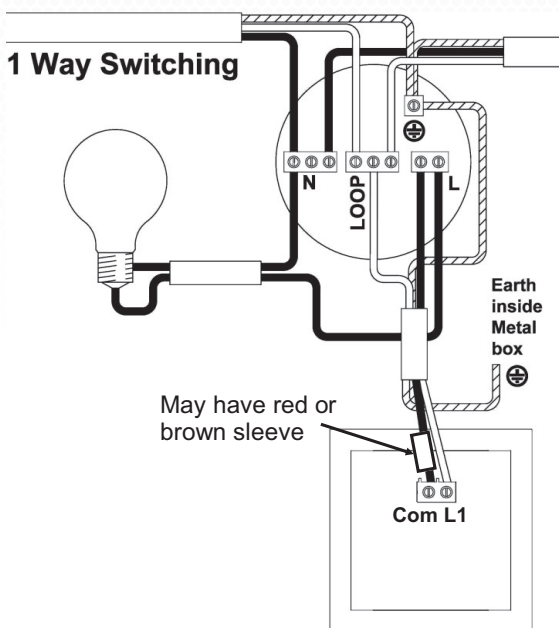
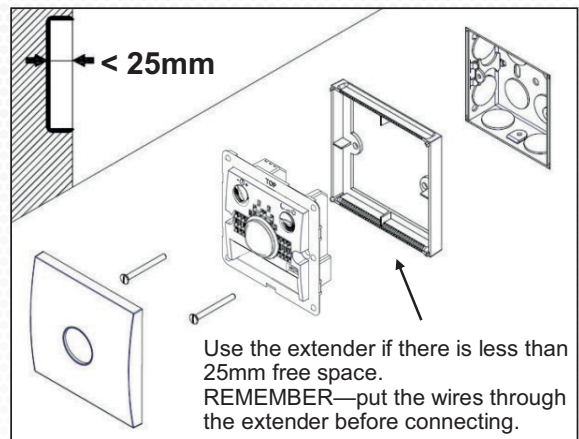
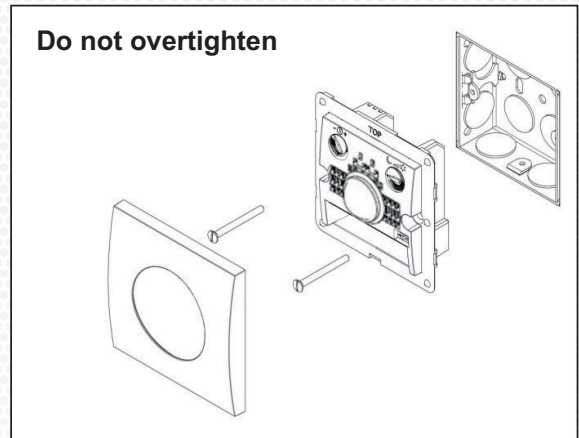
Wall-mounted no neutral presence detector with manual adjustment

## INSTALLATION AND WIRING



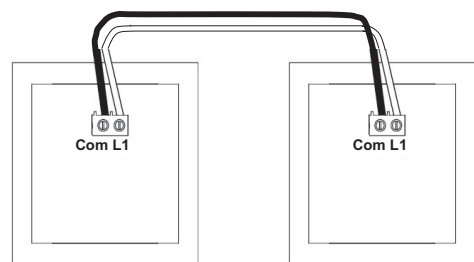
The detector should be sited so that the occupants of the room fall inside the detection pattern shown below, at a recommended height of 1.2m to 1.5m for wall sensors. Note that the higher the sensor is installed the shorter the detection range will be.

- Avoid direct sunlight entering the sensor.
- Do not site within 1m of forced air heating or ventilation.
- Do not site within 1m of any lighting.
- Do not fix to a vibrating surface.



(LEFT) 1 way switching If the lights are controlled from one location only, wire as in the diagram.

(BELOW) 2 way switching If more than one detector is required to switch the lighting (e.g. at the top and bottom of a staircase) they can be wired in parallel, as in the diagram.



Due to our policy of continuous improvement, we reserve the right to change specifications without notice. All information was correct at time of when this product file was produced - February 2022

# PRE3204B

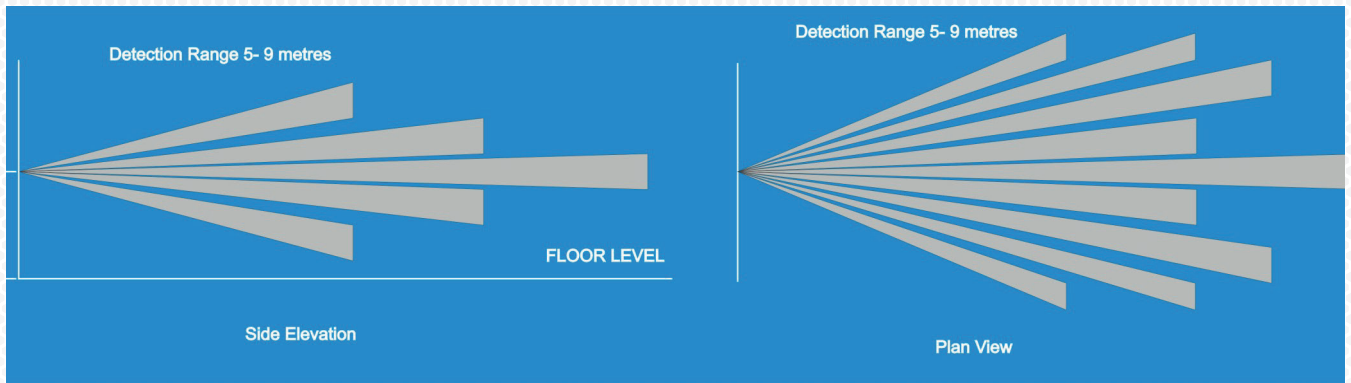
Instructions - page 3 of 4

Wall-mounted no neutral presence detector with manual adjustment



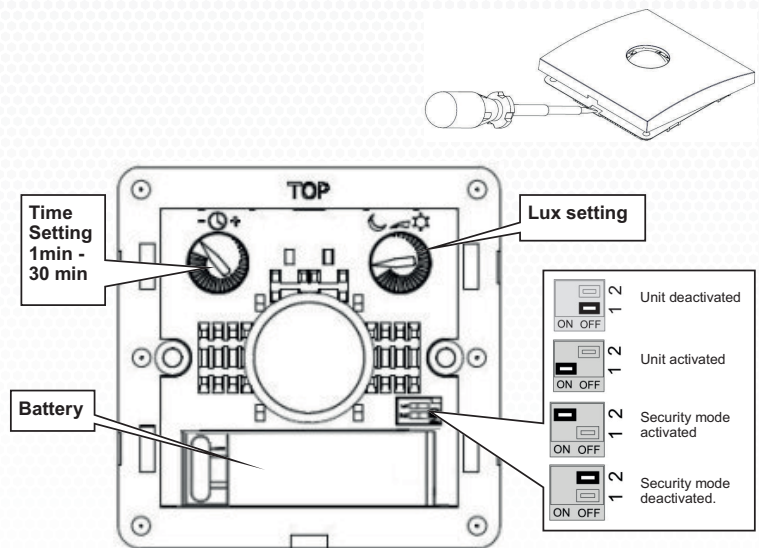
Cleverly simple  
control of energy.

## DETECTION RANGE



## SET UP

1. Activate the unit by setting DIL switch 1 on.
2. Allow about 60 seconds for the unit to settle.
3. Set the LUX level thumbwheel fully clockwise, and the time setting to minimum (fully anticlockwise).
4. Check that the load switches on when movement is detected, and turns off again about 1 minute after the area has been vacated.
5. To set the final LUX level wait until the level of natural daylight is just enough that lighting is required. Starting with the LUX thumbwheel fully anti-clockwise. Very slowly turn the thumbwheel clockwise until the lights come on. Note that when the LUX thumbwheel is fully clockwise then the lights will always come on with occupancy.
6. If required, select the security mode using DIL switch 2.
7. If the unit is not going to be used for a prolonged period of time, deactivate by setting DIL switch 1 off. This will preserve battery life.



## SECURITY MODE

- Security mode can be turned on and off using the switches as shown in the "setup" section.
- When activated, security mode is used to switch on lighting when it gets dark, giving the impression a house is occupied.
- When the unit senses that the outside light is dark, the lights will automatically switch on for a period of 4 hours then switch off.

## BATTERIES

- The internal battery should last in excess of 3 years, dependent on usage.
- When it needs replacing, a red LED will flash on the front of the unit.
- Follow the steps below to replace the battery.
  1. Remove front cover
  2. Lever out battery
  3. Replace battery
  4. Push into holder
  5. Replace front cover
- Use only good quality, 9V alkaline batteries type PP3.

Due to our policy of continuous improvement, we reserve the right to change specifications without notice. All information was correct at time of when this product file was produced - February 2022

# PRE3204B

Instructions - **page 4** of 4

**Wall-mounted no neutral presence detector with manual adjustment**



Cleverly simple  
control of energy.

## FAULT FINDING

### LOAD DOES NOT COME ON

Check to see if the live supply to the circuit is good. Strap across the L and LIVE OUT terminal to turn the load on. If the supply and wiring are good, check the LUX level setting. Increase the LUX level setting to allow the controller to turn on at higher ambient natural light level.

### LIGHTS DO NOT GO OFF

Ensure that the area is left unoccupied for a greater time period than the time out period set using the switch. Make sure that the sensor is not adjacent to circulating air, heaters or lamps.

## TECHNICAL DATA

Supply Voltage	220-240 Volts AC 50Hz
Power	10A
Time out period	Adjustable 1 minute to 30 minutes
Light level	Optional adjustment by thumbwheel light to dark.
Terminal Capacity	2.5mm <sup>2</sup>
Material	Flame retardant ABS
Type	Class 2
Temperature	-10°C to 35°C
Compliance	EMC-2014/30/EU LVD-2014/35/EU



Due to our policy of continuous improvement, we reserve the right to change specifications without notice. All information was correct at time of when this product file was produced - February 2022