

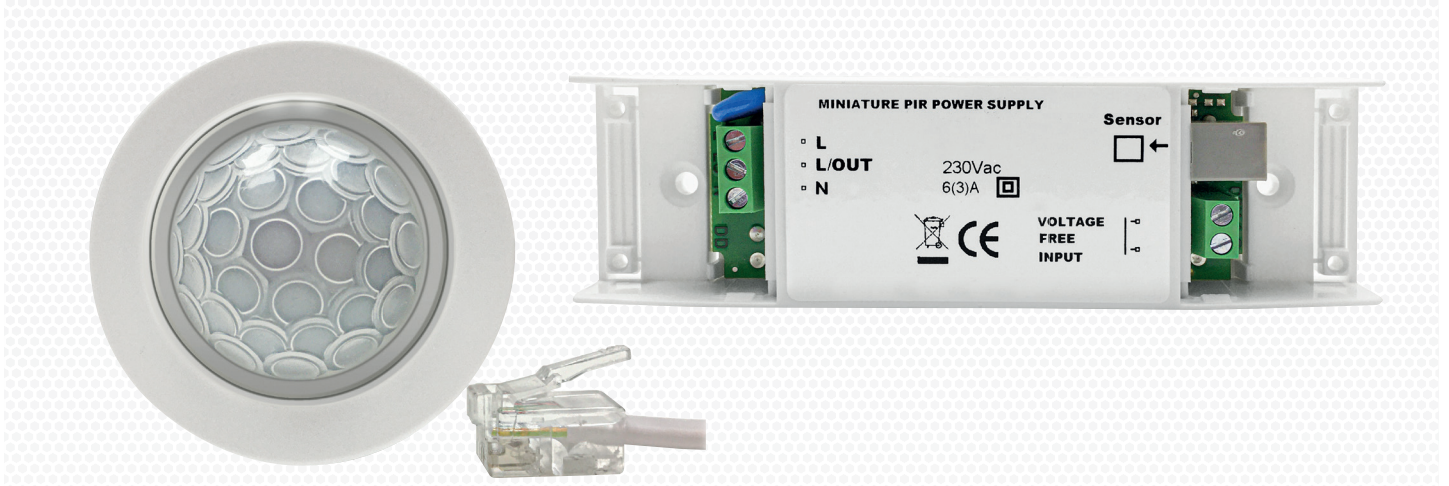
PRE3207B-PRM

Instructions - **page 1** of 6

Miniature flush or surface-mounted ceiling PIR detector



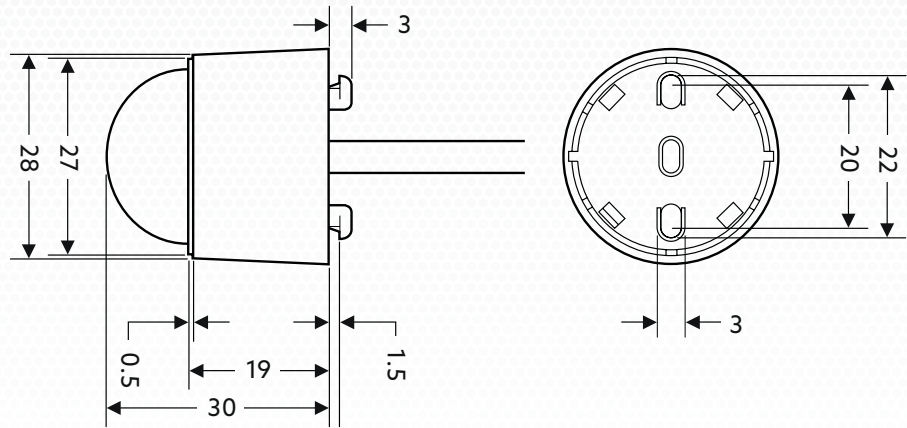
Cleverly simple
control of energy.



Warning

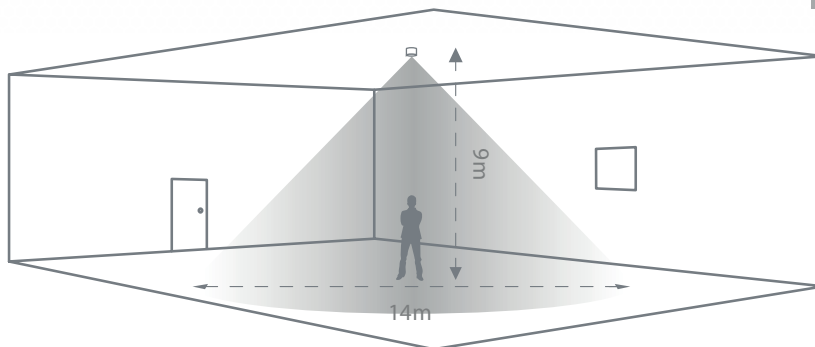
This device should be installed by a qualified electrician in accordance with the latest edition of the IEE wiring regulations. Identify the appropriate power supply and perform procedures to ensure the circuits are completely isolated. The supply should be locked in the OFF position and safe working practices should always be observed.

DIMENSIONS



DETECTION PATTERN

high < sensitivity > low



Due to our policy of continuous improvement, we reserve the right to change specifications without notice. All information was correct at time of when this product file was produced - February 2022

PRE3207B-PRM

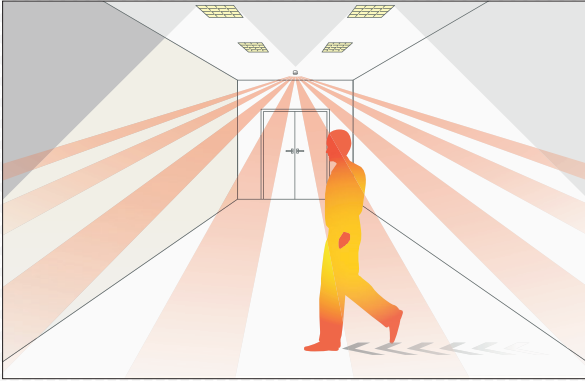
Instructions - page 2 of 6



Cleverly simple
control of energy.

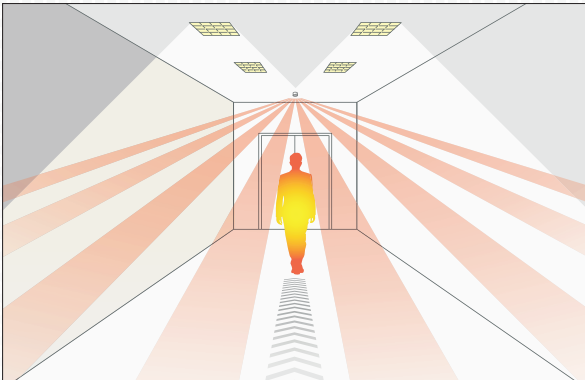
Miniature flush or surface-mounted ceiling PIR detector

Walk across



Height	Range diameter
9m	14m
7m	13m
5m	11m
3m	8m

Walk towards



Height	Range diameter
9m	7m
7m	7m
5m	7m
3m	5m

WIRING

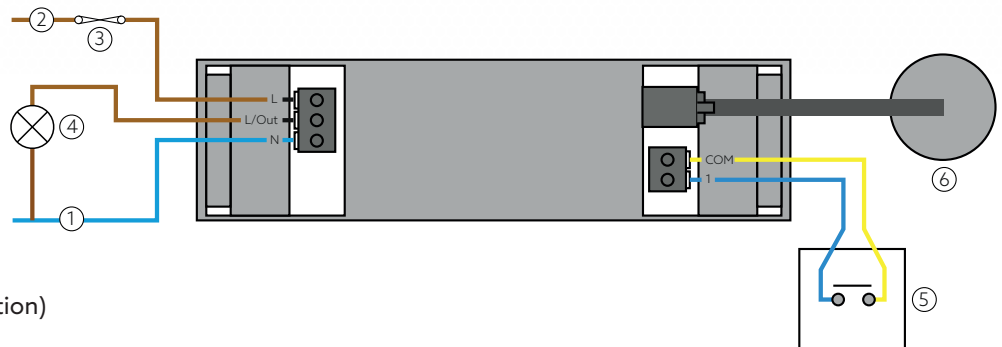
Basic insulation only. Although low voltage, this is not an SELV output and should be treated as if mains potential. Use mains rated wiring.

NON-DIMMING

Key

1. Neutral
2. Live
3. 10A circuit protection if required
4. Load
5. Momentary push to wake switch (for absence detection)
6. Detector

Switching channel is L-Out



Due to our policy of continuous improvement, we reserve the right to change specifications without notice. All information was correct at time of when this product file was produced - February 2022

PRE3207B-PRM

Instructions - page 3 of 6

Miniature flush or surface-mounted ceiling PIR detector



Cleverly simple
control of energy.

INSTALLATION

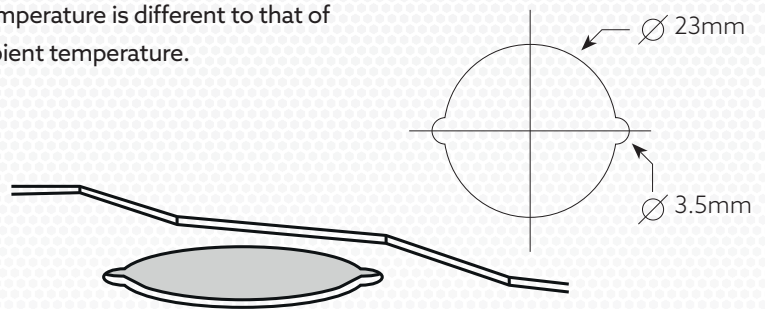
This device is designed to be mounted directly to a luminaire.

- Do not site the unit where direct sunlight or artificial light might enter the sensor.
- Do not site the sensor within 1m of any forced air heating or ventilation
- Do not fix the sensor to an unstable or vibrating surface.
- Occupancy is best detected when the ambient temperature is different to that of the human body, thus, use within -20 to 35°C ambient temperature.

SURFACE MOUNTING

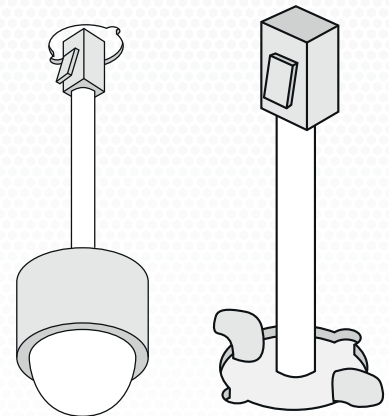
CREATE CUT OUT

Create cut out into thin sheet metal (1mm max).



SECURE MOUNTING

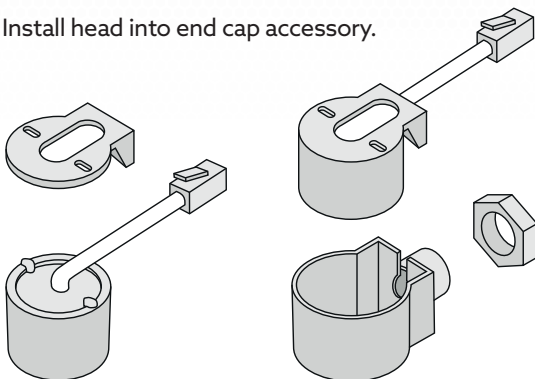
Pass the detector through the cut out. Use the lugs on rear of detector to secure.



SIDE MOUNTING

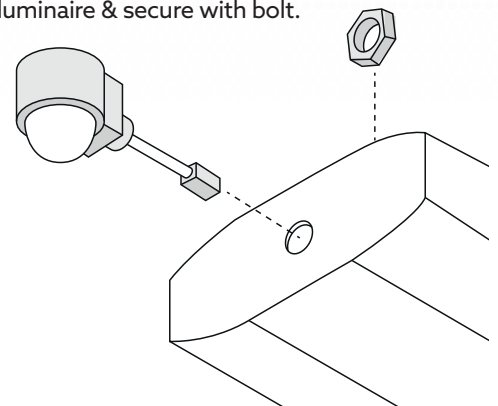
FIT INTO HEAD END CAP

Install head into end cap accessory.



FIT INTO HEAD END CAP

Insert cap into luminaire & secure with bolt.



Due to our policy of continuous improvement, we reserve the right to change specifications without notice. All information was correct at time of when this product file was produced - February 2022

PRE3207B-PRM

Instructions - **page 4** of 6

Miniature flush or surface-mounted ceiling PIR detector



Cleverly simple
control of energy.

FLUSH MOUNTING

If flush mounting in a material that is greater than 6mm thick, remove bottom of retention arms with side cutters.

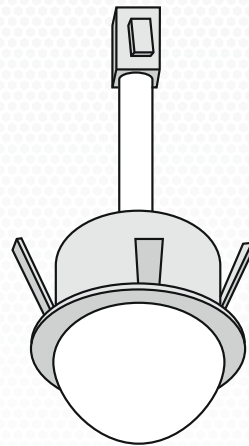
CREATE CUT OUT

Cut a 32mm diameter hole in the ceiling.



INSTALL DETECTOR

Bend the retention arms up and push the detector through hole in ceiling. Once inserted the arms snap back to hold the device in place.



DEFAULT SETTINGS

Time out: 20 minutes.

LUX on level: 999

LUX off level: 999

Sensitivity on: 9

Sensitivity off: 9

Detection: Presence

Adjustments can be made using the optional PRE5901 or PRE5903 handsets.

Due to our policy of continuous improvement, we reserve the right to change specifications without notice. All information was correct at time of when this product file was produced - February 2022

PRE3207B-PRM

Instructions - page 5 of 6

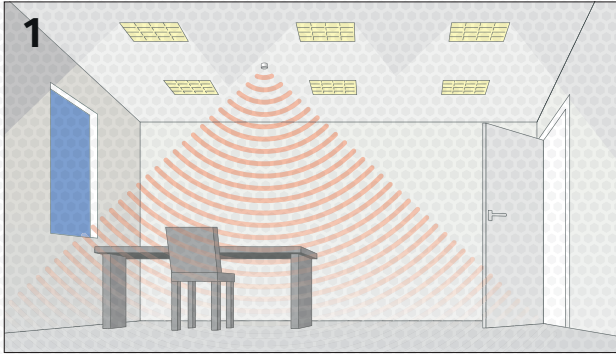
Miniature flush or surface-mounted ceiling PIR detector



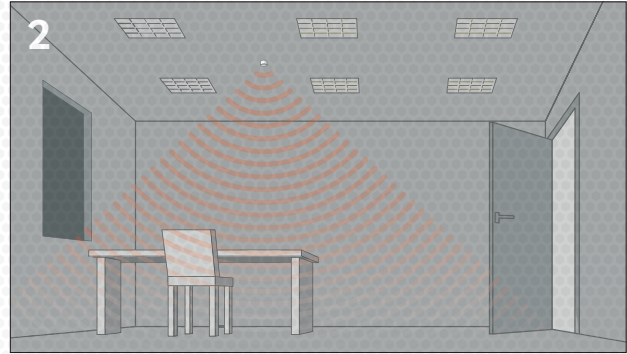
Cleverly simple
control of energy.

TESTING

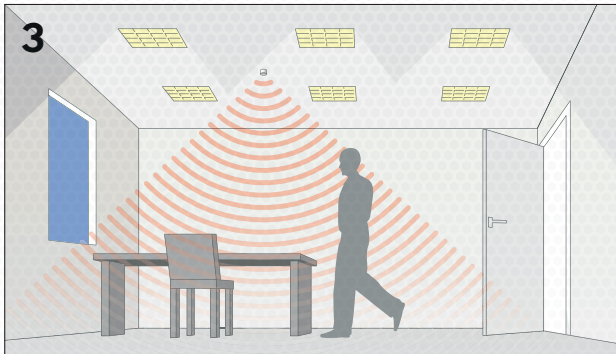
PRESENCE DETECTION



1. Power up the sensor.
The load should come on immediately.

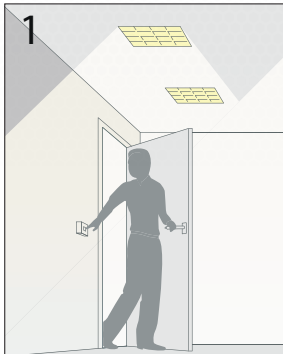


2. Vacate the room or remain very still and wait for the load to switch off (this should take fewer than 20 minutes).

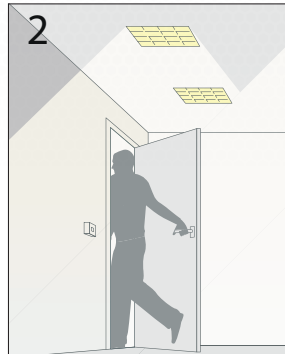


3. Enter the room or make some movement and check that the load switches on.

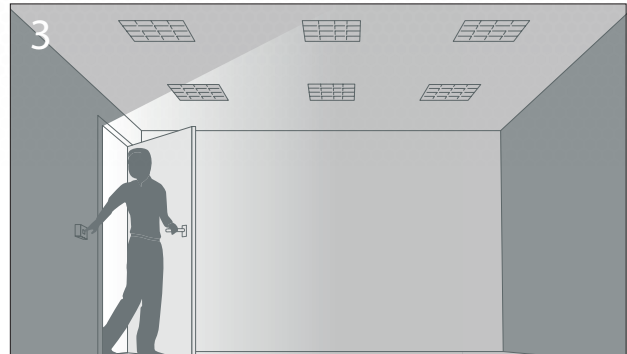
ABSENCE DETECTION



1. Power up the sensor
Switch the load on.



2. Vacate the room and wait for the load to switch off (this should take fewer than 20 minutes).



3. Enter the room, the load will remain off until you switch it on again.

Due to our policy of continuous improvement, we reserve the right to change specifications without notice.
All information was correct at time of when this product file was produced - February 2022

PRE3207B-PRM

Instructions - page 6 of 6

Miniature flush or surface-mounted ceiling PIR detector



Cleverly simple
control of energy.

TECHNICAL DATA

Weight	0.2 KG
Supply Voltage AC	230 VAC +/- 10%
Circuit Protection	<=10A MCB Type B
Supply Frequency	50Hz
Power consumption Parasitic	837mW
Terminal Capacity	2.5mm ²
Maximum Load	
Incandescent lighting	6A
Fluorescent lighting	6A
Compact Fluorescent lighting	3A
LED lighting	3A
Resistive heaters	6A
Fans and ventilation equipment	3A
Load Inrush rating	200A for 300µS
Light detection range	Usable 15-950 Lux
Operating temperature	-20 to +35°C
Humidity	5 to 95% non-condensing
Material (casing)	Sensor head, side mounting bracket - PA (polyamide) Power supply - PA (polyamide) Flush holder - Flame retardant ABS
Insulation class	2
IP rating	40
Compliance	EMC-2014/30/EU LVD-2014/35/EU

ACCESSORIES

Part number	Description
PRE5901	Infra-red programming handset
PRE5903	Compact infra-red programming handset



IMPORTANT NOTICE

This device should be installed by a qualified electrician in accordance with the latest edition of the IEE Wiring Regulations and any applicable Building Regulations.

Due to our policy of continuous improvement, we reserve the right to change specifications without notice.
All information was correct at time of when this product file was produced - February 2022