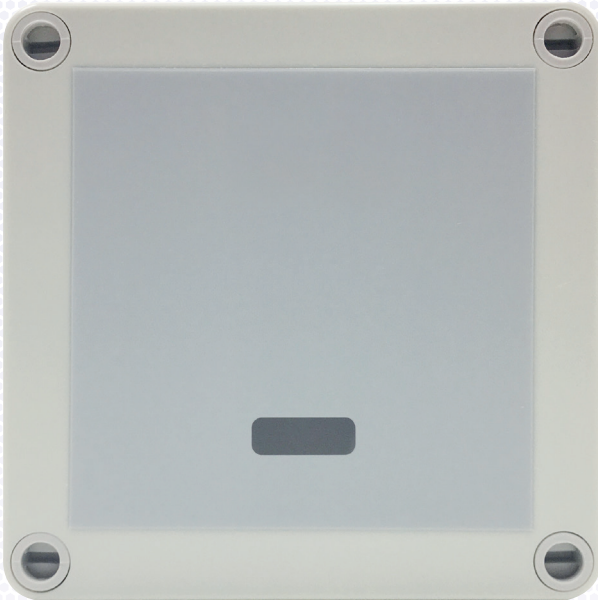


# PRE4204

## IP66 External microwave sensor



Cleverly simple  
control of energy.

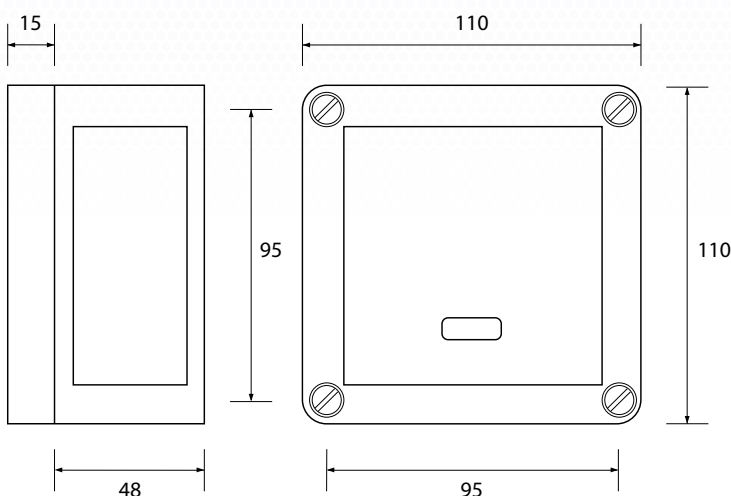


### Key features

- Supply voltage - 220-240 Volts AC 50 Hz
- Load - 10A of lighting including incandescent, fluorescent, compact fluorescent, compact fluorescent, low voltage (switch primary of transformer) 3A Fans and ventilation equipment.
- Time out period - Adjustable 10 seconds to 99 minutes.
- Light level - Optional adjustment by Programming handset-PRE5901 & PRE5903.
- Terminal capacity - 2.5mm<sup>2</sup>
- IP Rating - IP 66
- Material - Polystyrene
- Type - Class 2
- Temperature - -10°C to 35°C
- Conformity - 2004/108EC LVD-2006/95/EC
- 5-year warranty

### The PRE4204 is an IP66 rated easy to fit, cost-effective microwave detector.

This microwave presence detector has the same operation as PRE4201 giving a full 10 metre (2.8m height) detection range, but the unit is mounted in an IP66 rated enclosure making it ideal for external lighting applications.



Due to our policy of continuous improvement, we reserve the right to change specifications without notice.  
All information was correct at time of when this product file was produced - June 2020