

# Atlantic No Controls Panel Heaters

0.5kW / 0.75kW / 1.0kW /

1.25kW / 1.5kW / 2.0kW / 2.5kW

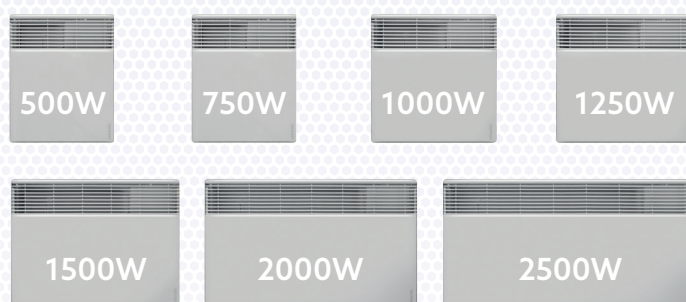


Cleverly simple  
control of energy.



## Key features

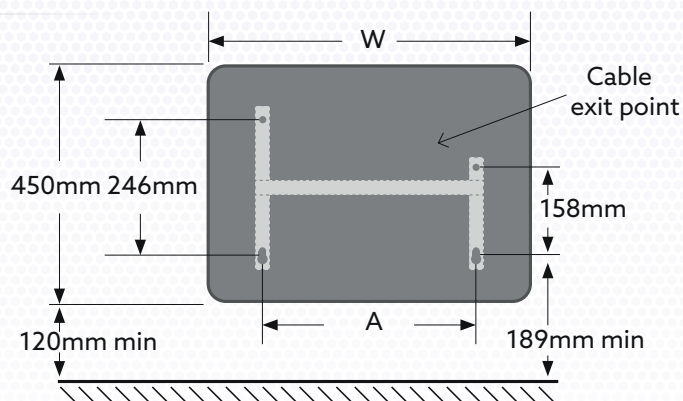
- Rating (at 230V AC)
- Safety overheat thermostat
- IP24 Rated
- No controls, ideal for use with Irus and ecostat2 ranges
- Double insulated
- Slim design
- Silent operation
- Complies with EN55014 / 1:2006 / A1:2009 / A2:2011
- 5-year warranty



## The Atlantic range of heaters has been designed to work alongside Prefect control equipment.

The attractive slim design hides a reliable robust and energy-efficient heater. The cross-flow element allows maximum airflow giving the heater a fast "heat up" time. The simple clip mounting bracket makes for easy installation while making redecoration behind the unit simple.

Only supplied with Prefect LOT20 compliant control (sold separately).



Model	Wattage	Height (mm)	Width (mm)	Depth (mm)	A (mm)
PRE-AH573201	500W	450	370	98	121
PRE-AH573202	750W	450	370	98	195
PRE-AH573203	1000W	450	445	98	195
PRE-AH573204	1250W	450	520	98	195
PRE-AH573209	1500W	450	590	98	343
PRE-AH573210	2000W	450	740	98	491
PRE-AH573212	2500W	450	890	98	635

**NOTE:** All Prefect Atlantic heaters are A Class II or double insulated electrical appliances this means that the heater has been designed and built in such a way that it does not require a connection to electrical earth (ground). This is the double insulated symbol for electrical equipment A double insulated appliance displays the symbol above; the square inside a square symbol refers to 2 layers of insulation, thus double insulation. Double Insulated/Double Insulation All Atlantic heaters conform to this standard.

Due to our policy of continuous improvement, we reserve the right to change specifications without notice. All information was correct at time of when this product file was produced - November 2020